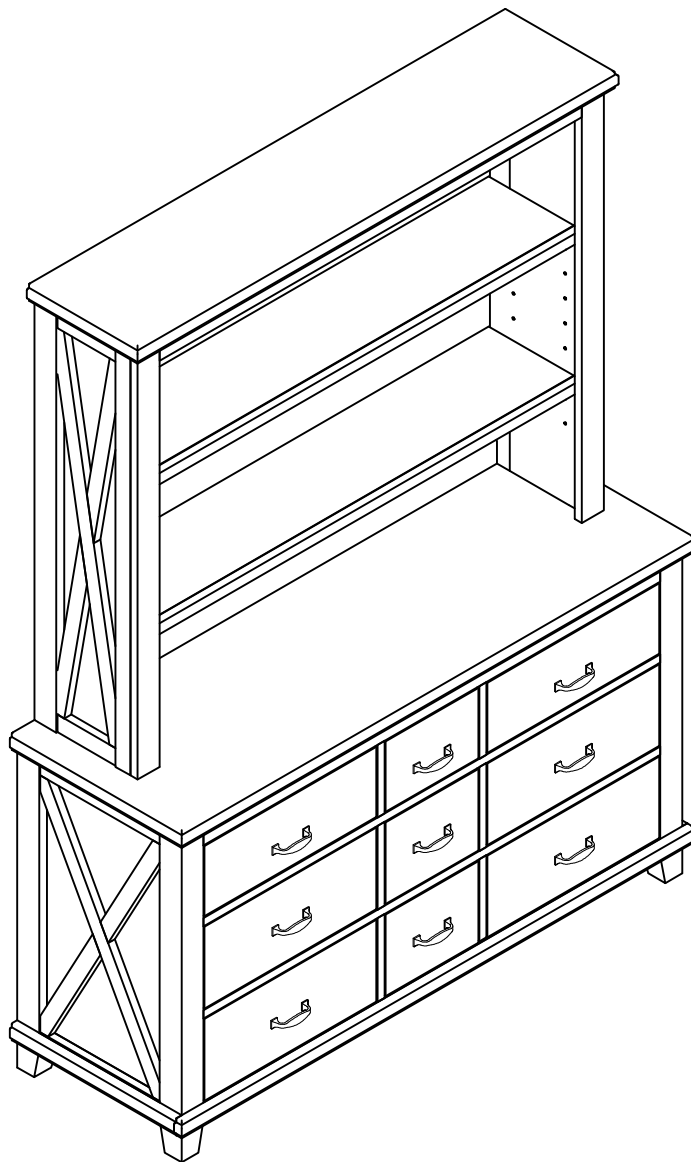


# ASSEMBLY INSTRUCTIONS

## LEXINGTON HUTCH

Model # 18055



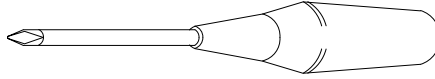
**oxford**<sup>TM</sup>  
BABY

# Thank you for your purchase!

Remove all parts and hardware from the box and lay on a carpeted or scratch -free work surface.  
Do not dispose of any contents until assembly is completed.

## TOOLS REQUIRED:

SCREW DRIVER (Not Included)



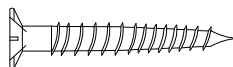
## PARTS ENCLOSED IN CARTON

A. HUTCH (1 pc)



## HARDWARE

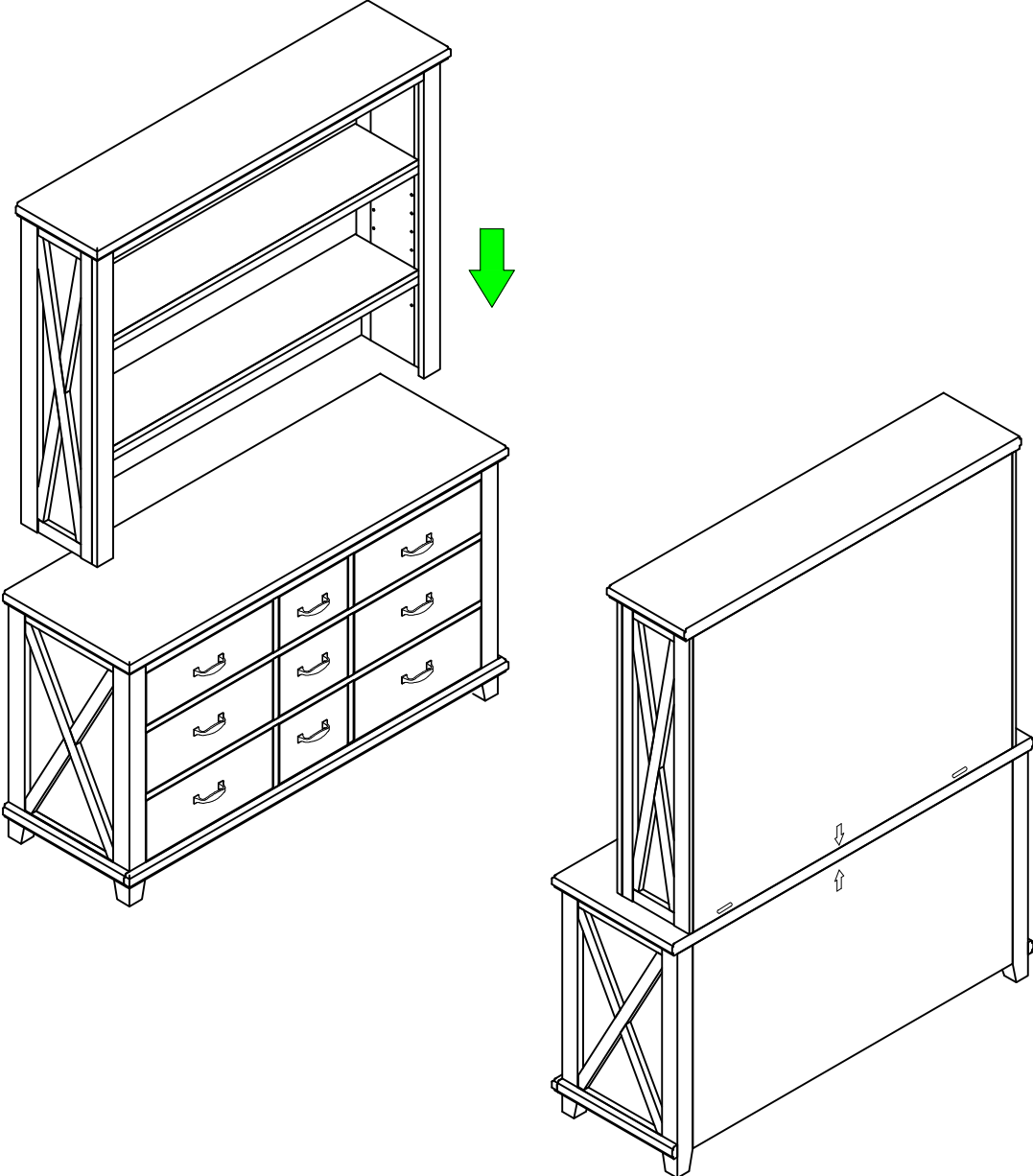
(B) Screw 1 1/4"(30 mm) (2 pcs)



Do not fully tighten all Screws until all parts are in place.

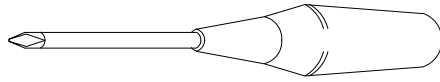
# ASSEMBLY OF HUTCH

A. Place the hutch on top of the dresser.

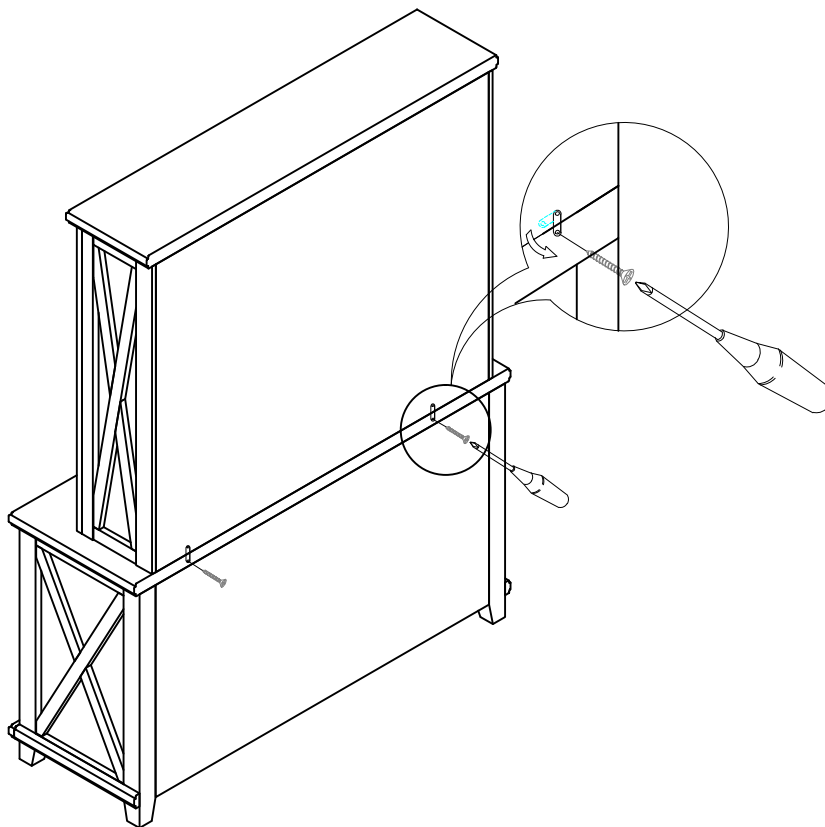


## ASSEMBLY OF HUTCH

SCREW DRIVER (Not Included)



1. Unscrew the screw on Hutch metal plates.
2. Move down the Metal Plate to the Dresser top.
3. Insert the screws into the back of the metal plate and dresser, tighten with Screw driver. Check to see that the Hutch is secure.



# Thank you for your purchase!

The product is ready for use after removing all packing material. If you want to move the shelves up or down follow these steps:

1. Before removing the shelves, unscrew and remove the screws, which are attached to the shelf pegs underneath the shelves, with a screw driver.
2. Determine the desired height for the shelves using the corresponding pre-drilled holes located on the inside of the cabinet.
3. Insert the shelf pegs into the pre-drilled holes until fully secure. Place the shelves onto the shelf pegs, making sure the shelf is stable. Reinsert and tighten the screws back into the shelves by inserting the screw through the pre-drilled hole of the shelf peg and into the shelf. See illustration.

## TOOLS REQUIRED: SCREW DRIVER (Not Included)

