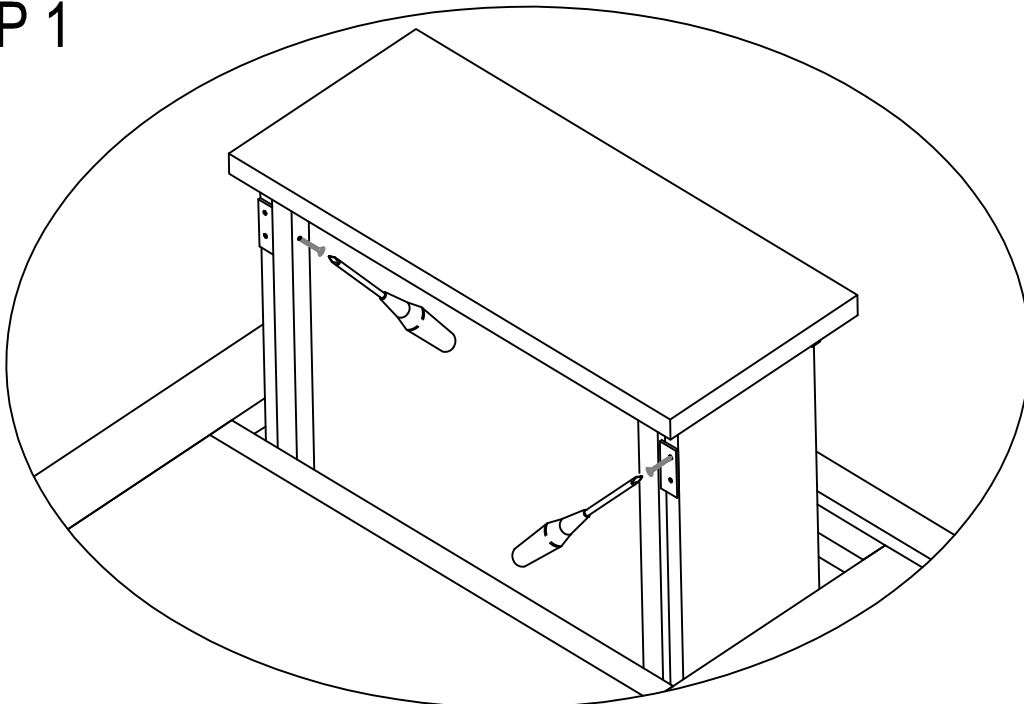


ASSEMBLY INSTRUCTIONS FOR DRAWER REMOVAL for CASEGOODS

TO REMOVE DRAWER:

- Step 1: Pull out the drawer halfway and locate the screws underneath both sides of the drawer. Unscrew all the screws using a screw driver (not included).
- Step 2: Lift the drawer carefully from the glider pin and remove the entire drawer.

STEP 1



STEP 2

